



DOOR, DRAWER, & PANTRY INSTALL SPECIFICATIONS



Model # 53830SC Shown



Model # 53930KSC Shown

GENERAL INFORMATION

INSTALLER: Leave these instructions with consumer.
CONSUMER: Retain for future reference.

WARNING

This unit is to be installed by a qualified, professional service technician.

Important: READ THESE INSTRUCTIONS CAREFULLY BEFORE STARTING INSTALLATION

- When installing this unit directly below another unit, only install with Fire Magic built-in products.
- For proper installation, be sure to use the correct cutout dimensions as specified for your specific model number.
- It is recommended that silicon caulking (not supplied) is applied around the back of the unit's trim before sliding the cabinet assembly into the opening.
- Some models may include an additional owner's manual.
- **When used for propane cylinder storage, a louvered door model is required.**

CAUTION: Make sure the enclosure is properly vented. See your grill owner's manual for venting requirements, or consult your local codes.

WHEN USING A PROPANE TANK CYLINDER:

- **Never locate a cylinder under or near a grill unless sufficient ventilation and shielding is provided to prevent any heating of the cylinder regulator and hose.** Refer to any additional instructions included with your door (and/or your grill owner's manual) for the required installation method of propane tank cylinders.
- **FOLLOW ALL THE SAFETY WARNING AND INFORMATION FOUND IN THESE INSTRUCTIONS, ON YOUR PROPANE CYLINDER, AND IN YOUR GRILL OWNER'S MANUAL ABOUT SAFE STORAGE AND USE OF PROPANE GAS.**

INSTALLATION GUIDELINES

For proper installation, be sure to use the correct cutout dimensions as specified for your model number. Locate your model on the following pages for dimensions, and reference the cut-out diagram of your unit for proper orientation.

Important: Doors and drawers are supplied with 8 screws for installation. If installing into a concrete island, pilot holes are required.

Important: When installing in an AFD GFRC Island, use the bracket and screws provided with the island.

DOOR

Slide in and fasten the unit securely into the island enclosure using the supplied hardware through the installation screw slots or holes in the top and bottom of the unit.

For doors with soft-close hinge:

Soft-close hinges have two door adjustment screws per hinge. Screw "A" adjusts the door left or right. Turn clockwise to move right and counterclockwise to move left, on both hinges. See Fig. 2-2. Screw "B" allows for the door to adjust inward or outward. First loosen screw "B", adjust door as needed, then re-secure. See Fig. 2-2.

For doors with lock and keys:

To use, insert the provided key into the key hole. Turn the key counterclockwise to lock, and clockwise to unlock.

To replace the lock mechanism (part # LKSC-1): locate the back of the lock, then loosen the screw with a Philips Screwdriver (See Fig. 2-5, A). Then pull out the locking tab along with the screw and washers (See Fig. 2-5, B). Remove the nut, then the locking mechanism (See Fig. 2-5, C and D).

To install, reverse this procedure.

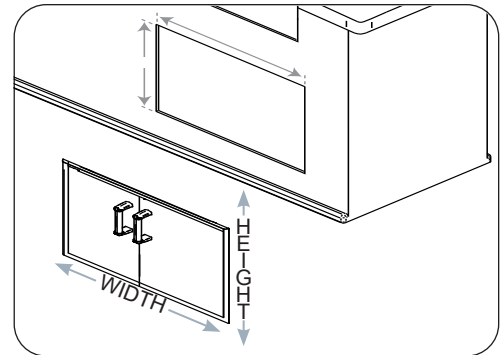


Fig. 2-1 Door cut-out diagram

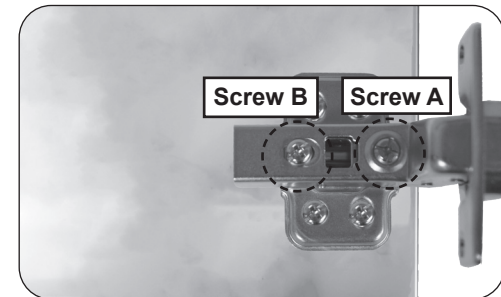


Fig. 2-2 Adjust door

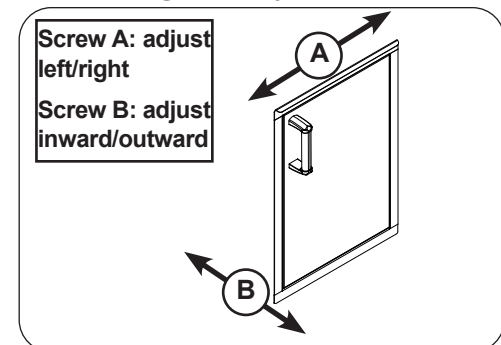


Fig. 2-3 Adjust door

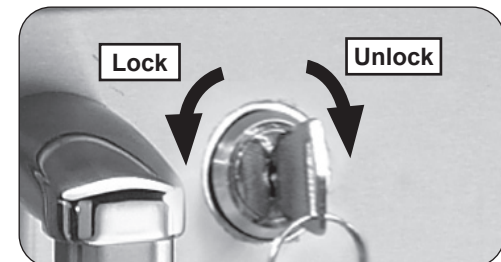


Fig. 2-4 Locking / unlocking

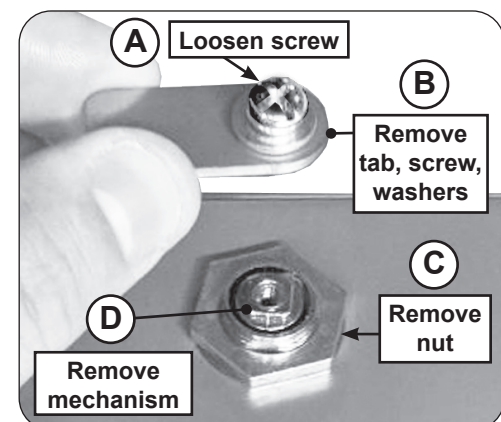


Fig. 2-5 Locking / unlocking

INSTALLATION GUIDELINES (cont.)

For doors with propane tank trays:

To use, simply open the door, pull out the sliding cylinder tray, place your cylinder in the tank holder tray. Hook the round end of the pull-latch-screw over the bracket (found on collar of tray). Then snap the pull-latch-handle closed. Ensure the collar is securely holding the cylinder in place. (If needed the pull-latch-screw can be adjusted to tighten or loosen the collar.) Push the tray back in. The cylinder is now ready for connection to your grill. See Fig. 3-2.

Important: Refer to the instructions included with your door for propane tank installation.

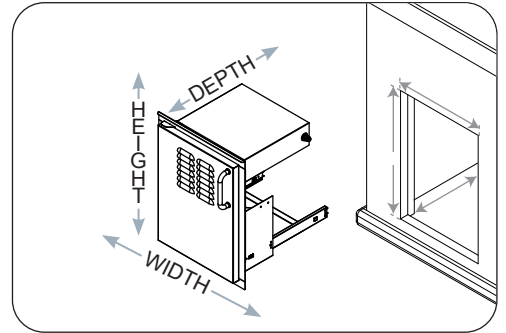


Fig. 3-1 Door with tank tray cut-out diagram

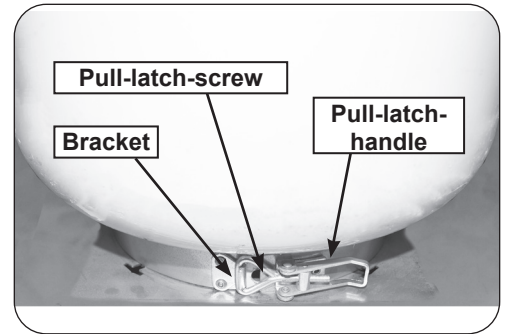


Fig. 3-2 Secure L.P. cylinder

PANTRY

Installation Guidelines

Before installing your pantry, remove the drawer from its base by completely pulling it out. Release the drawer from the drawer slides by pressing the black lever down on the right side, and up on the left side (Fig 4-2). Then pull outward on the drawer until it comes free of the runners.

1. Slide in and fasten the unit securely into the island enclosure using the appropriate hardware for your construction (not supplied) through the installation holes in the top, sides, and bottom of the unit.

Important: Install using $\frac{3}{16}$ " countersink screws. Ensure screws are flush.

2. To re-attach the drawer; extend the drawer slides completely and align the drawer into the slides, pushing the drawer closed. Open the drawer to verify that it has locked in place.

Note: DO NOT damage gasket while installing the screws.

Inner Drawer Height Adjustment

The top inner-drawer height can be adjusted (lowered) by raising the drawer runners.

1. Pull out the drawer completely (see above section).
2. From the interior of the drawer, use a flat head screwdriver and a hammer to tap the runners free (through the notches). See Fig. 4-3.
3. Align each runner over the alternate notches and use the hammer to gently tap into place (see Fig. 4-4).
4. Reinstall the drawer.

DRAWER

Before installing your drawer, remove the drawer from its base by completely pulling it out. Release the drawer from the drawer slides by pressing the black lever down on the right side, and up on the left side (Fig 4-2). Then pull outward on the drawer until it comes free of the runners.

1. In order to properly support the weight of your drawer, it is necessary to provide a secure, level surface in the rear of the unit (see Fig 4-6). This may be accomplished by using bricks, 2 X 4's, etc. Be sure that the height of this rear support is $\frac{1}{8}$ " higher than that of the front opening support, so that your drawer sits level.
2. Slide in and fasten the unit securely into the island enclosure using the supplied hardware through the installation screw slots in the top and bottom of the unit.
3. To re-attach the drawer, extend the drawer slides completely and align the drawer into the slides, pushing the drawer closed. Open the drawer to verify that it has locked in place.

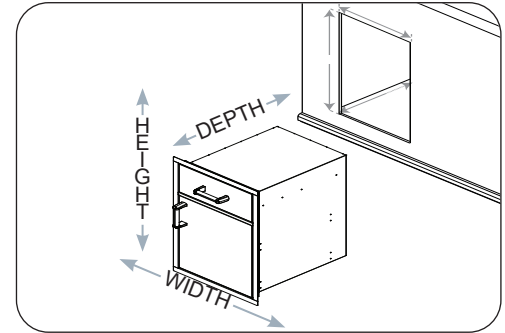


Fig. 4-1 Pantry cut-out diagram

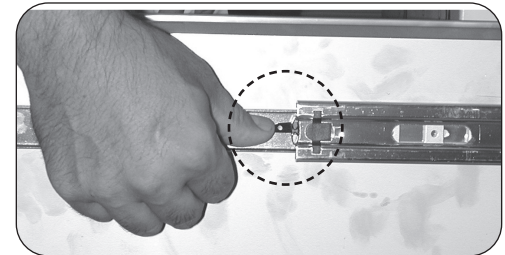


Fig. 4-2 Releasing drawer from slides

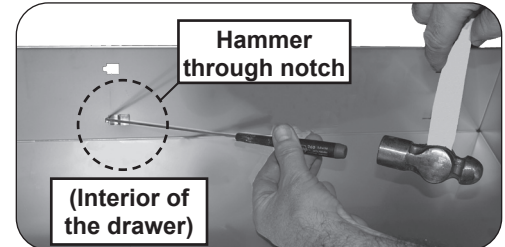


Fig. 4-3 Release tracking from drawer



Fig. 4-4 Reinstall runners

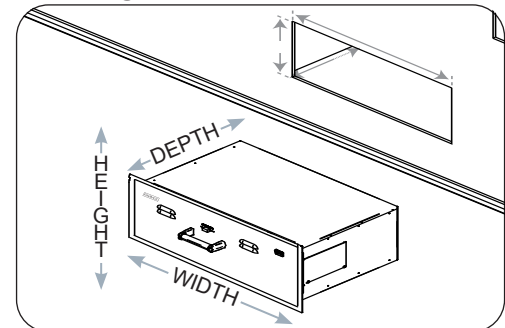


Fig. 4-5 Drawer cut-out diagram

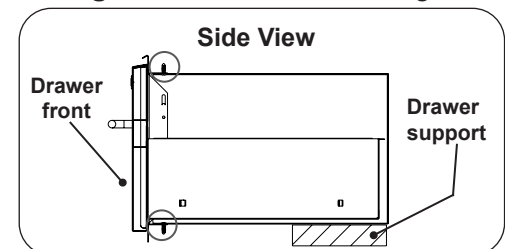


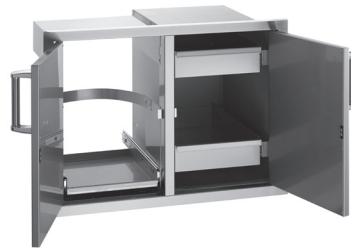
Fig. 4-6 Drawer Installation (Side View)

FLUSH-MOUNTED DOORS, DRAWERS, & PANTRY

Cut-out is height x width x depth



DOUBLE DOORS WITH DUAL DRAWERS
MODEL: 53930SC-22
CUT-OUT: 21" x 30 1/2" x 20 1/2"



DOUBLE DOORS WITH TRASH TRAY & DUAL DRAWERS
MODEL: 53930SC-12
CUT-OUT: 21" x 30 1/2" x 20 1/2"



MASONRY DRAWER
MODEL: 53830SC
CUT-OUT: 14 1/2" x 32 1/4" x 22"



ELECTRIC WARMING DRAWER
MODEL: 53830-SW
CUT-OUT: 14 1/2" x 32 1/4" x 22"



TRIPLE ENCLOSED DRAWERS
MODEL: 53803SC
CUT-OUT: 26 1/4" x 14 1/2" x 20 1/2"



DOUBLE ENCLOSED DRAWERS
MODEL: 53802(H)SC
CUT-OUT: 16" x 14 1/2" x 20 1/2"
 (53802SC model shown)



SINGLE ACCESS DOOR*
MODEL: 53924SC-L
CUT-OUT: 25" x 17 1/2"



DOUBLE ACCESS DOORS
MODEL: 53934SC
CUT-OUT: 15" x 30"



ACCESS DOOR W/ DOUBLE DRAWERS
MODEL: 53810SC
CUT-OUT: 18 1/2" x 30" x 26"



DOUBLE ACCESS DOORS
MODEL: 53938(H)SC
CUT-OUT: 16" x 39"
 (53938SC model shown)



SINGLE DOOR WITH DUAL DRAWERS*
MODEL: 53820SC-R
CUT-OUT: 21" x 14 1/2" x 20 1/2"



SINGLE ENCLOSED DRAWER
MODEL: 53801SC
CUT-OUT: 5 1/4" x 14 1/2" x 20 1/2"

* Available in left or right hinge

FLUSH-MOUNTED DOORS, DRAWERS, & PANTRY (cont.)

Cut-out is height x width x depth



DOUBLE ACCESS DOORS
MODEL: 53930SC
CUT-OUT: 21" x 30"



SINGLE ACCESS DOOR*
MODEL: 53920(H)SC-L
CUT-OUT: 21" x 14 1/2"
 (53920SC-L model shown)



SINGLE ACCESS DOOR*
MODEL: 53917SC-R
CUT-OUT: 18" x 24 1/2"



SINGLE ACCESS DOOR*
MODEL: 53914SC-R
CUT-OUT: 15" x 20 1/2"



DOUBLE ACCESS DOORS WITH LOUVERS
MODEL: 53930SC-1
CUT-OUT: 21" x 30"



ACCESS DOORS W/ PLATTER STORAGE AND DOUBLE DRAWERS
MODEL: 53816SC
CUT-OUT: 18 1/2" x 36 1/2" x 26"



PANTRY W/ TOP DRAWER AND SINGLE DOOR W/ DUAL DRAWERS (INSULATED)
MODEL: 54020S
CUT-OUT: 33 1/2" x 20" x 26"



TRASH CABINET
MODEL: 53820(H)TSC
CUT-OUT: 21" x 14 1/2" x 19 1/4"
 (53820TSC model shown)

Also available: (not shown)

MODEL: 54018S	CUT-OUT: 25" x 17 1/2" x 26"	MODEL: 53924KSC-R	CUT-OUT: 25" x 17 1/2"
MODEL: 53820SC-L	CUT-OUT: 21" x 14 1/2" x 20 1/2"	MODEL: 53924KSC-L	CUT-OUT: 25" x 17 1/2"
MODEL: 53820(H)SC-TL or TR	CUT-OUT: 21" x 14 1/2" x 20 1/2"	MODEL: 53914KSC-R	CUT-OUT: 15" x 20 1/2"
MODEL: 53914SC-L	CUT-OUT: 15" x 20 1/2"	MODEL: 53914KSC-L	CUT-OUT: 15" x 20 1/2"
MODEL: 53917SC-L	CUT-OUT: 18 1/2" x 24 1/2"	MODEL: 53917KSC-R	CUT-OUT: 18" x 24 1/2"
MODEL: 53920(H)SC-R	CUT-OUT: 21" x 14 1/2"	MODEL: 53917KSC-L	CUT-OUT: 18" x 24 1/2"
MODEL: 53924SC-R	CUT-OUT: 25" x 17 1/2"	MODEL: 53934KSC	CUT-OUT: 15" x 30"
MODEL: 53930SC-12T	CUT-OUT: 21" x 30 1/2" x 20 1/2"	MODEL: 53930KSC	CUT-OUT: 21" x 30"
MODEL: 53920KSC-R	CUT-OUT: 21" x 14 1/2"	MODEL: 53938KSC	CUT-OUT: 16" x 39"
MODEL: 53920KSC-L	CUT-OUT: 21" x 14 1/2"		

* Available in left or right hinge

SELECT DOORS & DRAWERS

Cut-out is height x width x depth



ELECTRIC WARMING DRAWER
MODEL: 33830-SW
CUT-OUT: 13" x 31" x 20 1/2"



MASONRY DRAWER
MODEL: 33830-S
CUT-OUT: 13" x 31" x 20 1/2"



DOUBLE ACCESS DOORS
MODEL: 33930S
CUT-OUT: 21" x 30"



TRIPLE DRAWERS
MODEL: 33803
CUT-OUT: 26 1/4" x 14 1/2" x 20 1/2"



DOUBLE DRAWERS
MODEL: 33802
CUT-OUT: 16" x 14 1/2" x 20 1/2"



DOUBLE DOORS WITH TANK TRAY AND LOUVERS
MODEL: 33930S-12T
CUT-OUT: 21" x 30 1/2" x 20 1/2"



SINGLE DOOR WITH DUAL DRAWERS*
MODEL: 33820-SR
CUT-OUT: 21" x 14 1/2" x 20 1/2"



ACCESS DOORS W/ PLATTER STORAGE AND DOUBLE DRAWERS
MODEL: 33816S
CUT-OUT: 18 1/2" x 36 1/2" x 26"

* Available in left or right hinge

SELECT DOORS & DRAWERS (cont.)

Cut-out is height x width x depth



SINGLE ACCESS DOOR*
MODEL: 33914-SR
CUT-OUT: 15" x 20 ½"



DOUBLE DOORS WITH 2 DRAWERS
MODEL: 33930S-22
CUT-OUT: 21" x 30 ½" x 20 ½"



SINGLE ACCESS DOOR*
MODEL: 33920-SR
CUT-OUT: 21" x 14 ½"



SINGLE ACCESS DOOR WITH TANK TRAY AND LOUVERS*
MODEL: 33820-TSL
CUT-OUT: 21" x 14 ½" x 20 ½"



SINGLE ACCESS DOOR*
MODEL: 33917-SR
CUT-OUT: 18" x 24 ½"



SINGLE DRAWER
MODEL: 33801
CUT-OUT: 5 ¼" x 14 ½" x 20 ½"



ACCESS DOOR W/ DOUBLE DRAWERS
MODEL: 33810S
CUT-OUT: 18 ½" x 30" x 26"

Also available: (not shown)

MODEL: 33914-SL	CUT-OUT: 15" x 20 ½"
MODEL: 33917-SL	CUT-OUT: 18" x 24 ½"
MODEL: 33920-SL	CUT-OUT: 21" x 14 ½"
MODEL: 33924-SR or SL	CUT-OUT: 25" x 17 ½"
MODEL: 33920-1-SR or SL	CUT-OUT: 21" x 14 ½"
MODEL: 33938S	CUT-OUT: 16" x 39"
MODEL: 33820-SL	CUT-OUT: 21" x 14 ½" x 20 ½"
MODEL: 33820-TSR	CUT-OUT: 21" x 14 ½" x 20 ½"
MODEL: 33930S-12	CUT-OUT: 21" x 30 ½" x 20 ½"

* Available in left or right hinge

LEGACY DOORS & DRAWERS

Cut-out is height x width x depth



MASONRY DRAWER
MODEL: 23830-S
CUT-OUT: 13" x 31" x 20 1/2"



SINGLE ACCESS DOOR
MODEL: 23917-S
CUT-OUT: 17 1/2" x 24 1/2"



SINGLE ACCESS DOOR
MODEL: 23920-S
CUT-OUT: 20 1/2" x 14 1/2"



SINGLE ACCESS DOOR (RIGHT OR LEFT) WITH TANK TRAY AND LOUVERS
MODEL: 23920-1T-S
CUT-OUT: 20 1/2" x 14 1/2" x 20 1/2"



SINGLE ACCESS DOOR WITH LOUVERS
MODEL: 23920-1-S
CUT-OUT: 20 1/2" x 14 1/2"



DOUBLE ACCESS DOORS
MODEL: 23930S
CUT-OUT: 20 1/2" x 30"



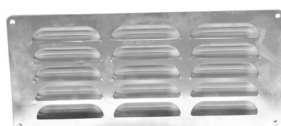
DOUBLE DOORS WITH DUAL DRAWERS AND TRASH TRAY
MODEL: 23930S-12
CUT-OUT: 21" x 30 1/2" x 20 1/2"



SINGLE DOOR WITH DUAL DRAWERS
MODEL: 23820-S
CUT-OUT: 20 1/2" x 14 1/2" x 20 1/2"

Also available: (not shown)

- | | |
|------------------------|---|
| MODEL: 23912-S | CUT-OUT: 12 1/2" x 18 1/2" |
| MODEL: 23918-S | CUT-OUT: 18 1/2" x 12 1/2" |
| MODEL: 23924-S | CUT-OUT: 24 1/2" x 17 1/2" |
| MODEL: 23914-S | CUT-OUT: 14 1/2" x 20 1/2" |
| MODEL: 23912 | CUT-OUT: 12 1/2" x 18 1/2" |
| MODEL: 23918 | CUT-OUT: 18 1/2" x 12 1/2" |
| MODEL: 23924 | CUT-OUT: 24 1/2" x 17 1/2" |
| MODEL: 23914 | CUT-OUT: 14 1/2" x 20 1/2" |
| MODEL: 23917 | CUT-OUT: 17 1/2" x 24 1/2" |
| MODEL: 23920 | CUT-OUT: 20 1/2" x 14 1/2" |
| MODEL: 23920-1T | CUT-OUT: 20 1/2" x 14 1/2" x 20 1/2" |
| MODEL: 23920-1 | CUT-OUT: 20 1/2" x 14 1/2" |



VENTING PANEL, LOUVERED STAINLESS STEEL
MODEL: 5510-01
CUT-OUT: 5" x 12 3/4"
OUTER DIMENSIONS: 6" x 14"

* Available in left or right hinge

CARE & CLEANING

By following these recommendations, you will enjoy the beauty and convenience of your unit for many years to come.

The trash should be emptied regularly.

STAINLESS STEEL

As needed, use a grill cleaner (or a soapy water solution) and a clean cloth to remove grease and dirt from the outside of the unit. For tough deposits, a copper pad can be used. Always wipe with the grain. Rinse and dry completely. Then follow up with a stainless steel cleaner and a clean cloth.

If this routine cleaning is not performed, the stainless steel may become dull and develop surface rust (due to use and atmospheric conditions). If left uncleaned, significant damage and pitting may occur.

Important: DO NOT use steel wool, any other metal tools, or any other cleaners/chemicals to clean the exterior other than recommended above. Such items promote rust.

When this unit is installed in a corrosive environment such as near the ocean (salt air), poolside (chlorine and/or pool chemicals) or any other location with exposure to high salt/chloride content or corrosive chemicals/solutions, it will be more susceptible to corrosion and MUST be maintained/cleaned more frequently.

- DO NOT store any corrosive chemicals (chlorine, hydrochloric acid, fertilizer, etc.) near your stainless steel unit.
- DO NOT allow any corrosive materials (masonry dust, debris, etc.) to settle on your stainless steel unit.
- These environments, chemicals, and materials may cause the 304 stainless steel to develop surface rust and consequently pitting. Under these conditions the unit MUST be cleaned at least monthly. Inspect your unit often and clean accordingly.

PORCELAIN

As needed, use a non-corrosive oven/grill cleaner (or a soapy water solution) and a clean cloth to remove grease and dirt. Rinse and dry completely.



Fig. 10-1

SAFE USE & MAINTENANCE OF PROPANE GAS CYLINDERS

IMPORTANT FOR YOUR SAFETY

READ AND FOLLOW ALL WARNINGS PROVIDED WITH THE PROPANE-GAS CYLINDER.

When operating this appliance with a propane-gas cylinder, these instructions and warnings **MUST** be observed.

FAILURE TO DO SO MAY RESULT IN A SERIOUS FIRE OR EXPLOSION.

CYLINDER/CONNECTOR REQUIREMENTS

- a. Propane-gas cylinders, valves, and hoses must be maintained in good condition and inspected before each use of appliance. They must be replaced if there is any visible damage. If hose is cut or shows excessive abrasion or wear, it must be replaced before using appliance (see e.).
- b. This unit, when used with a cylinder, should be connected to a standard 5-gallon (20 lb.) propane-gas cylinder equipped with a listed overfilling prevention device. The device has been required on all cylinders sold since October 1, 1998, to prevent overfilling.
- c. Cylinder dimensions should be approximately 12" (30.5 cm) in diameter and 18" (45.7 cm) high. Cylinders must be constructed and marked in accordance with the U.S. Department of Transportation (D.O.T.) *Specifications for LP-Gas Cylinders*, or the *Standard for Cylinders, Spheres, and Tubes for Transportation of Dangerous Goods and Commission*, CAN/CSA-B339, as applicable.
- d. The cylinder used must include a collar to protect the cylinder valve, and the cylinder supply system must be arranged for vapor withdrawal.
- e. The pressure regulator and hose assembly used must match the specification for Type I by ANSI Z 21.58/CGA 1.6 (see Fig. 11-1).
- f. The propane-gas cylinder valve must be equipped with a cylinder connection device, described as Type I in the standard defined in paragraph e. above. This device is commonly described as an Acme thread coupler.
- g. If the propane-gas cylinder comes with a dust plug, place the dust cap on the cylinder valve outlet whenever the cylinder is not in use.

COUPLER OPERATION

To connect the regulator/hose assembly to the propane-gas cylinder valve fitting: Press the hand nut on the regulator over the Acme thread fitting on the cylinder valve. Turn the hand nut clockwise to engage the threads and tighten until

snug. The use of pliers or a wrench should not be necessary. Only cylinders marked "propane" may be used.

To disconnect: Turn the hand nut counterclockwise until detached (Fig. 11-1).

Important: Before using the unit, and after each time the cylinder is removed and reattached, check the hose for wear (see a.) and check all connections for leaks. Turn off the unit valves and open the main cylinder valve, then check connections with soapy water. Repair any leaks before lighting the unit.

CAUTION: Always turn the propane cylinder main valve off after each use, and before moving the unit and cylinder or disconnecting the coupling. This valve must remain closed and the cylinder disconnected while the appliance is not in use, even though the gas flow is stopped by a safety feature when the coupler is disconnected.

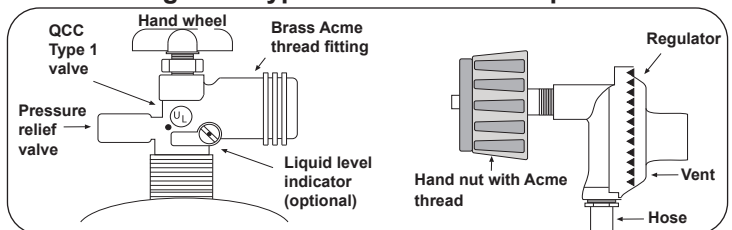
Carefully inspect the hose assembly each time before the gas is turned on. A cracked or frayed hose must be replaced immediately.

If the appliance is stored indoors, the cylinder must be disconnected and removed. Disconnected cylinders must be stored outdoors, out of the reach of children, with threaded valve plugs tightly installed, and must not be stored in a building, garage, or any other enclosed area.

FOR YOUR SAFETY

- a. DO NOT store a spare propane-gas cylinder under or near this appliance.
- b. NEVER fill the cylinder beyond 80-percent full.
- c. IF THE INFORMATION IN a. AND b. IS NOT FOLLOWED EXACTLY, A FIRE CAUSING DEATH OR SERIOUS INJURY MAY OCCUR.

Fig. 11-1 Type I Acme thread coupler



**For propane ventilation and enclosure requirements,
see the owner's manual provided with your grill.**

Please use this page to record any information that you may want to have at hand.